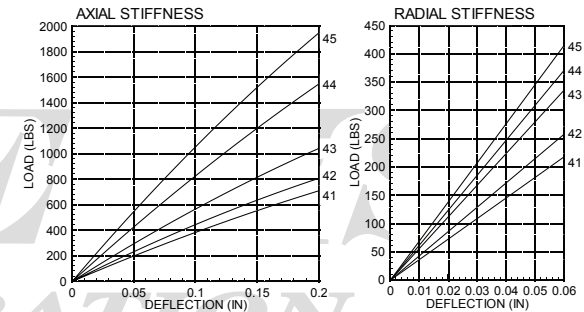
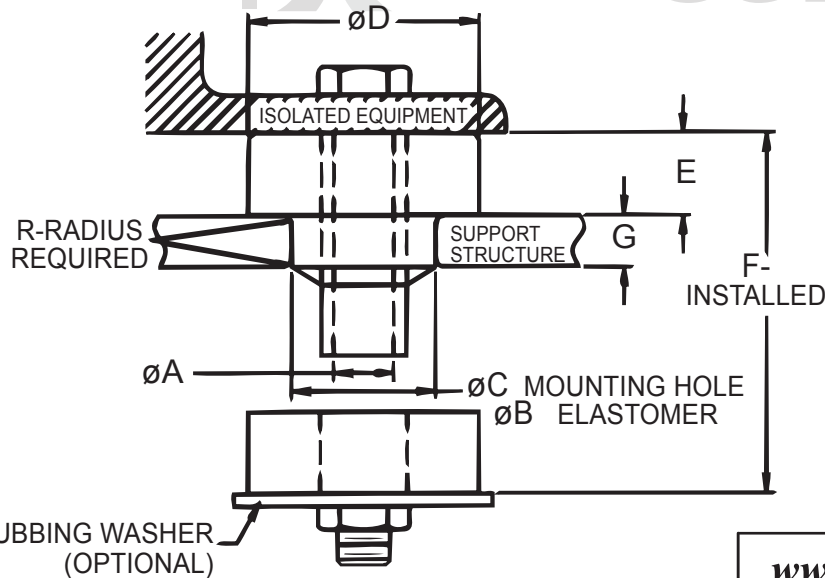


Part No.	A	B	C	D	E	F	G		R
							Thin Support	Thick Support	
60011 thru 15	0.39	0.78	0.75	1.25	0.50	1.25	0.37	N/A	0.03
60021 thru 25	0.53	1.31	1.25	1.87	0.78	1.94	0.50	0.56	0.06
60031 thru 35	0.64	1.55	1.50	2.53	0.90	2.45	0.75	0.88	0.08
60041 thru 45	0.94	2.30	2.25	3.50	1.00	2.88	1.00	1.12	0.12
60051 thru 55	1.06	2.55	2.50	4.88	1.25	3.38	1.00	1.25	0.12

60041 thru 45 Series



Curves are for recommended THICK support.
Consult Tech Products for thin support information



Static Load Rating (lbs.)

Part No.	Color Code	Thin Support	
		Axial	Radial
60041	Yellow	160	100
60042	Red	300	200
60043	Green	410	310
60044	Blue	520	420
60045	White	610	570
Part No.	Color Code	Thick Support	
		Axial	Radial
60041	Yellow	270	130
60042	Red	500	210
60043	Green	760	330
60044	Blue	1150	550
60045	White	2070	955

www.ALLEGISCORP.com

1-866-378-7550

MATERIAL / FINISH :

Standard Neoprene elastomer

REV. :

1 : 1

DATE :

1-10-2013

DESCRIPTION :

Universal Mount

DRAWING NO. :

60041 - 60045